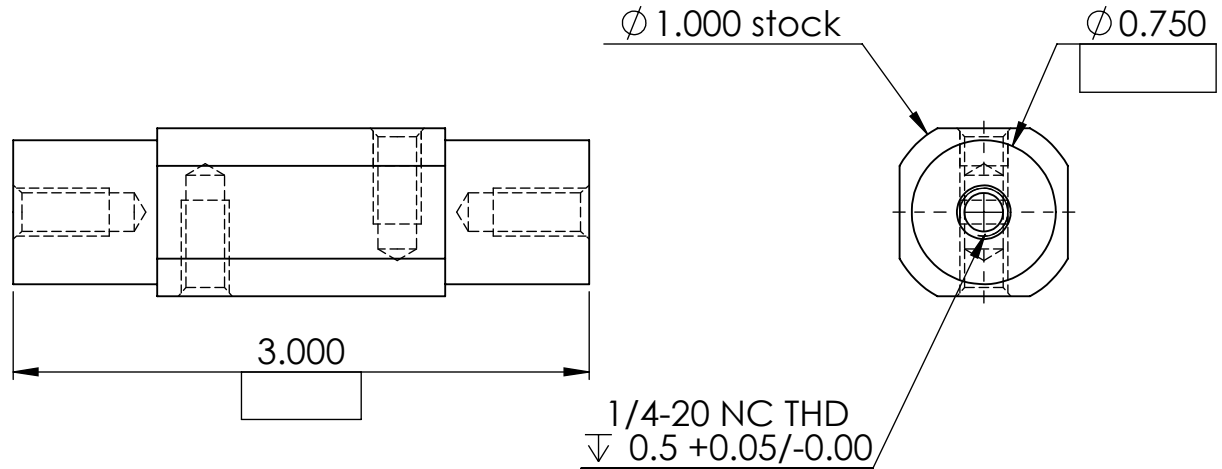
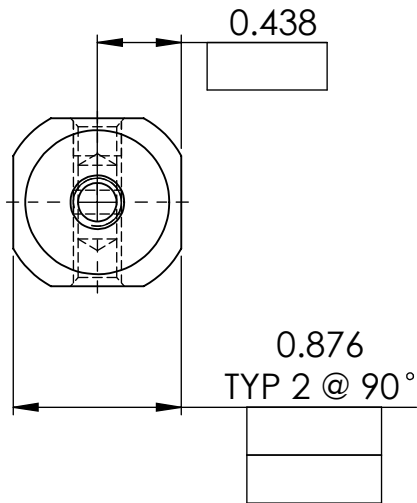
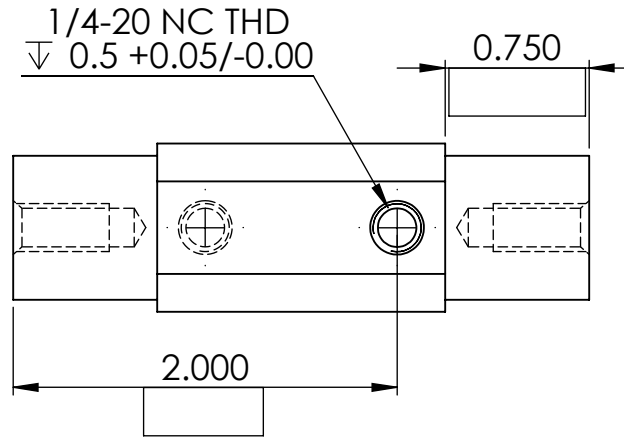


Student Name:

Notes:



Notes:

1. Machine from Alpha part test piece

UNLESS OTHERWISE SPECIFIED:		Design Innovation Lab	
DIMENSIONS ARE IN INCHES		TITLE:	
TOLERANCES:		Beta Part	
THREE PLACE DECIMAL +/- .010"		SIZE	
MATERIAL 6061 Aluminum		A	SCALE: 1:1
FINISH Break all sharp edges			SHEET 1 OF 1
DO NOT SCALE DRAWING			REV E