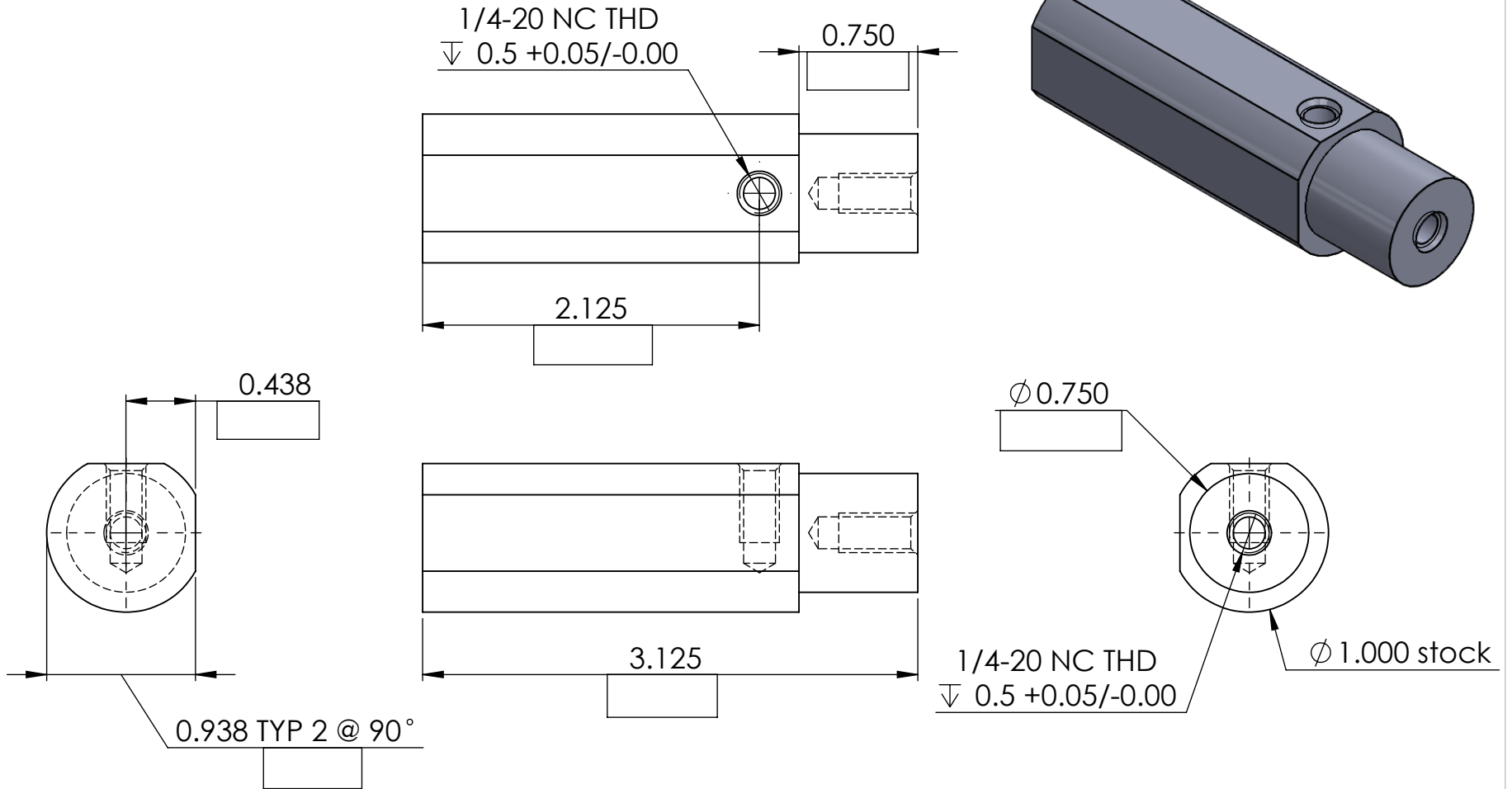


Student Name:

Notes:



UNLESS OTHERWISE SPECIFIED:

DIMENSIONS ARE IN INCHES

TOLERANCES:

THREE PLACE DECIMAL
+/- .010

MATERIAL
6061 Aluminum

FINISH
Break all sharp edges

DO NOT SCALE DRAWING

Student Shop

TITLE:

Alpha Part

SIZE
A

SCALE: 1:1

SHEET 1 OF 1

REV
E